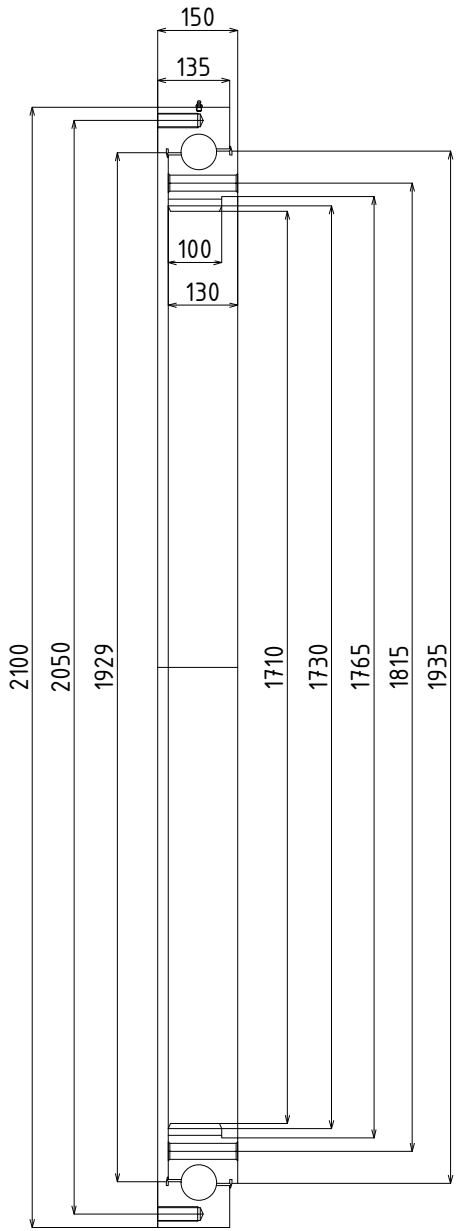


2N-BT34607HPX1



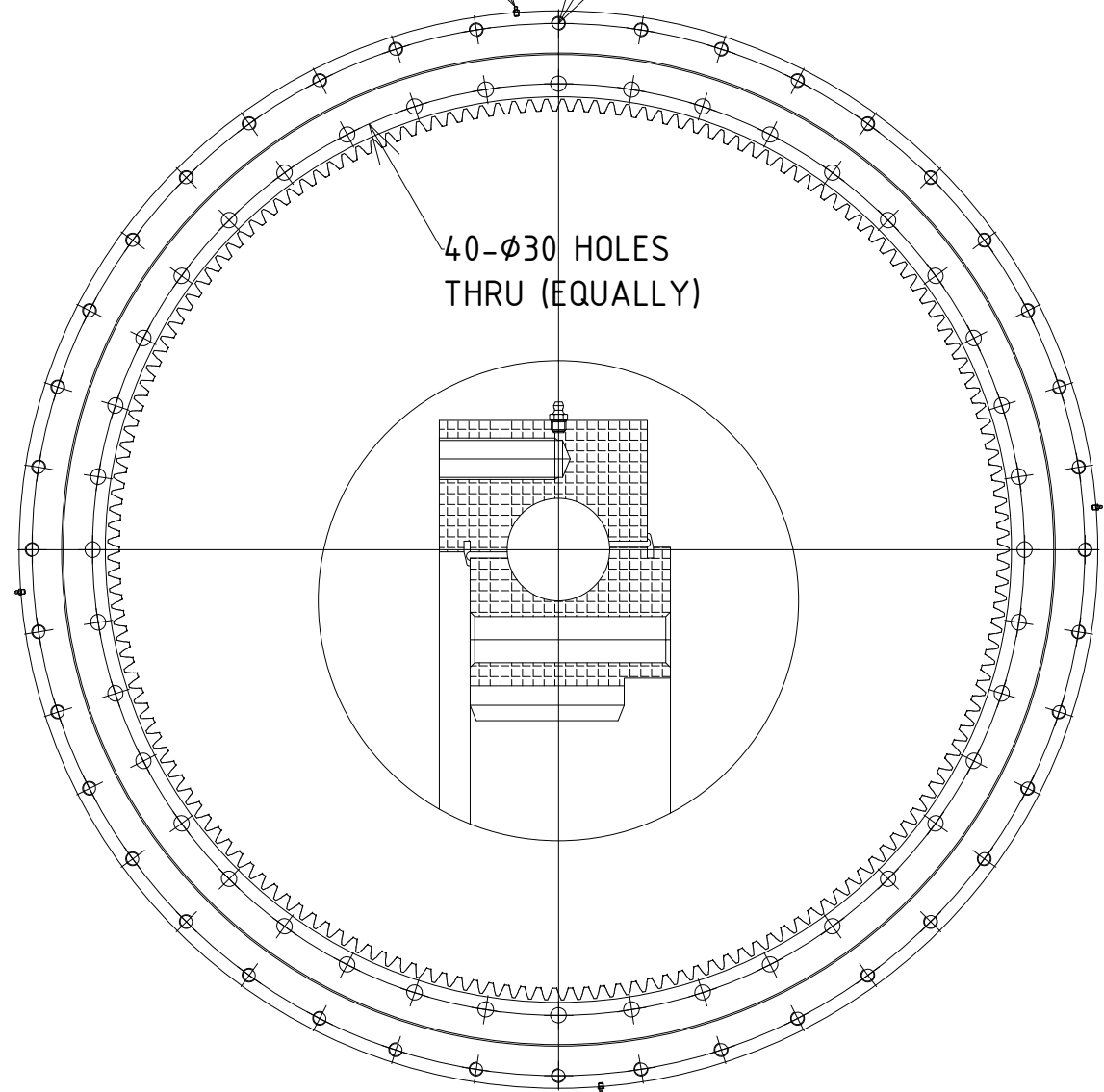
일반공차

치수구분	1급	2급	3급
0.5-6.0	0.05	0.10	0.20
6.0-30	0.10	0.20	0.50
30-120	0.15	0.30	0.80
120-315	0.20	0.50	1.20
315-1000	0.30	0.80	2.00
1000-	0.50	1.20	3.00



4-PT1/8 TAP
GREASE NIPPLE
(EQUALLY)

40-M27XP3.0 TAP
DP75 (EQUALLY)



GEAR DATA

TOOTH FORM	STANDARD
FORM	STANDARD
MODULE	10
P.A	20°
NUMBER OF TEETH	173
P.C.D	1730
ADDENDUM	10
DEDENDUM	12.5
WHOLE DEPTH	22.5

<NOTE>

GREASE	ALVANIA EP-2 etc.
CLEARANCE	AXIAL : 0.05-0.25 RADIAL : 0.05-0.25
Instructions without chamfer	C 2.0
BREAK ALL SHARP EDGES	
RACEWAY IS INDUCTION HARDEN.	HRC 55 min
GEAR IS INDUCTION HARDEN.	HRC 55 min
EFFECTIVE DEPTH : 2.0mm min (HRC45)	
BASE MATERIAL Q.T. HARDNESS	HB 179-325
Coa	1540000 kgf

8	GREASE NIPPLE	STEEL	4	PT 1/8
7	TAPER PIN	S45C	1	
6	FILLER PLUG	S45C	1	
5	COVER & SEAL	NBR	2	
4	RETAINER/SURPORT	PA66	-	
3	BALL	SUJ2	-	ø66.675
2	INNER RING	S48C	1	
1	OUTER RING	S48C	1	
NO.	DESCRIPTION	MAT'L	Q'TY	REMARKS